

## PRODUCT DATASHEET

### HFC-SBW-23-03

## CONVENTIONAL WALL SOUNDER VAD (WHITE)

The HFC-SBW-23-03 Conventional Wall Sounder VAD forms the core of our EN54-23 modular visual alarm device (VAD) range. The unit can either be used as a standalone conventional device or as an intelligent unit by the addition of a wired module (HFI-SIM-01) or wireless module (HFW-SIM-01). All devices are weather proof therefore this combined with the modular approach means the majority of applications can be achieved with very few stock components. The unit is equipped with 3 levels of volume adjustment, high output LED beacon and 32 recognised tones which can be set via the control equipment or locally at the sounder.

Note: Also available in red.

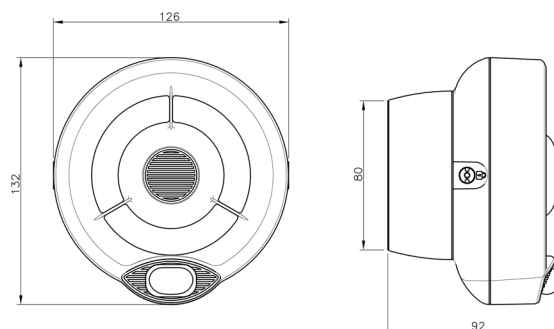


### KEY FEATURES

- Flexible modular design
- 5 year product warranty
- 3rd party approval to EN54-3 (Type B) and EN54-23
- 32 Tone Settings
- Two stage alarm capability
- Weatherproof as standard
- Easy to install
- Silent sounders setting for beacon only use
- Microphone self test facility
- Robust & high reliability

Note: Functionality is dependant on the control equipment and module selection.

### TECHNICAL INFORMATION



### TECHNICAL SPECIFICATION

- |                                      |                        |
|--------------------------------------|------------------------|
| ■ Power supply voltage range         | 15Vdc – 40Vdc          |
| ■ Activated current load (High Vol.) | 11-25 mA at 24 Vdc     |
| ■ Acoustic Frequency range           | 400-2900 Hz            |
| ■ Maximum acoustic Output            | 100 dB(A) @ 1m         |
| ■ Visual Alarm Device Frequency      | 0.5 Hz or 1 Hz         |
| ■ EN54-23 Classification             | W-2.5-7                |
| ■ Temperature range (no icing)       | -25°C to +70°C         |
| ■ Unit weight (inc Back box)         | 290g                   |
| ■ Max humidity (non condensing)      | 95% RH                 |
| ■ Ingress Protection                 | Designed to meet IP 65 |

Note: Certified device performance may vary depending on the approval body.

### STANDARDS & APPROVALS

- BS EN 54-3:(Type B)  
Fire Alarm Device, Sounders
- BS EN 54-23: Fire Alarm Devices,  
Visual Alarm Devices



0832



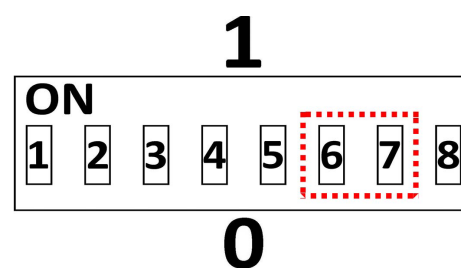
928y

## PRODUCT DATASHEET HFC-WSR-03

### OUTPUT VOLUME SETTING

Use the DIP switch at the back of the sounder body for setting the output volume; in particular, switches 6 and 7 are used. The switches positioned upwards acquire value "1" or when positioned downwards acquire value "0".

Refer to table below and set the position of both switches 6 and 7 according to the required volume when the sounder is active.



Tone volume	Switch 6	Switch 7	dB(A) evaluation	Notes
HIGH	1	1	100 dB(A) +0/-3	All tones
MEDIUM HIGH	0	1		All tones
MEDIUM LOW	1	0		All tones
LOW	0	0		

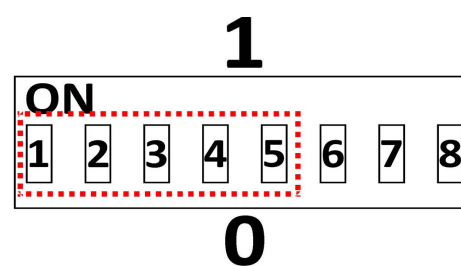
### OUTPUT TONE SETTING

Use the DIP switch at the back of the sounder body for setting the output tone; in particular, switches 1 to 5 are used. The switches positioned upwards acquire value "1" or when positioned downwards acquire value "0".

Using the DIP switches it is possible to select a tone between 1 and 32. Utilises the Standard or Alternative wiring connections determines whether this tone is selected from the Standard or Alternative tone tables (Page 4 and 5), when the sounder is activated.

When using the Intelligent interface module the Standard and alternative tones may be selected via the loop protocol and control panel settings.\*

\*Note: Not all functionality may be available on all control equipment. Contact technical support for specific advice.



**PRODUCT DATASHEET HFC-WSR-03**

**STANDARD TONE TABLE**

No:	Tone Description	Tone Description	1	2	3	4	5
1	Warble Tone	800Hz for 500ms, then 1000Hz for 500ms	1	1	1	0	1
2	Continous Tone	970Hz continuous tone	0	1	0	1	1
3	Slow Whoop (Dutch)	500-1200Hz for 3500ms, then off for 500ms	1	0	1	0	1
4	German DIN Tone	1200Hz-500Hz sweep every 1000ms (1Hz)	0	0	1	1	1
5	Alternative HF slow sweep	2350Hz-2900Hz sweep every 333ms (3Hz)	1	0	0	1	0
6	Alternative Warble	800Hz for 250ms, then 960Hz for 250ms	1	1	1	1	0
7	Alternative Warble	500Hz for 250ms, then 600Hz for 250ms	1	1	1	1	0
8	Analogue Sweep Tone	500Hz-600Hz sweep every 500ms (2Hz)	1	0	1	0	0
9	Australian Alert (intermittent)	970Hz for 625ms, then off for 625ms	1	0	0	0	1
10	Australian Evac (slow whoop)	500-1200Hz sweep for 3750ms, then OFF for 250ms	1	0	1	1	0
11	FP1063.1- Telecom	800Hz for 250ms, then 970Hz for 250ms	0	0	0	0	1
12	French Tone (Afnor)	554Hz for 100ms then 440Hz for 400ms	0	0	0	0	1
13	HF Back Up interrupted Tone	2800Hz for 1sec then off for 1 second	1	1	0	1	1
14	HF Back Up interrupted Tone (fast)	2800Hz for 150ms, then off for 150ms	1	1	0	0	1
15	HF Continous	2800Hz continuous	0	1	0	0	1
16	Interrupted Tone	800Hz for 500ms, then off for 500ms	0	1	1	1	1
17	Interrupted Tone medium	1000Hz for 250ms, then off for 250ms	0	1	1	0	1
18	ISO 8201 LF BS5839 Pt1 1988	970Hz for 500ms, then OFF for 500ms	0	1	1	1	0
19	ISO 8201 HF	2800Hz for 500ms, then OFF for 500ms	0	1	1	0	0
20	LF Backup Alarm	800Hz for 150ms, then OFF for 150ms	1	1	0	1	0
21	LF Buzz	800Hz-950Hz sweep every 9ms	0	1	0	1	0
22	LF Continous Tone BS5839	800Hz continuous	1	1	0	0	0
23	Silent	No Sound	1	1	1	1	1
24	Siren 2 way ramp (long)	500-1200Hz rising for 3000ms, then falling for 3000ms	0	0	0	0	0
25	Siren 2 way ramp (short)	500-1200Hz rising for 250ms, then falling for 250ms	0	0	0	1	0
26	Swedish All Clear	660Hz continuous	0	0	1	0	0
27	Swedish Fire Signal	660Hz for 150ms, then OFF for 150ms	0	0	1	1	0
28	Sweep Tone (1Hz)	800-900Hz sweep every 1000ms	1	0	1	1	1
29	Sweep Tone (3Hz)	800-970Hz sweep every 333ms	1	0	0	1	1
30	Sweep Tone (9Hz)	800-970Hz sweep every 111ms	0	1	0	0	0
31	US Temporal Pattern HF	(2900Hz for 500ms, then 500ms off) x3 then 1500ms off	0	0	0	1	1
32	LF Sweep (Cranford Tone)	800Hz -1000Hz sweep every 500ms (2Hz)	1	0	0	0	0

## PRODUCT DATASHEET

### ALTERNATIVE TONE TABLE

No:	Tone Description	Tone Description	1	2	3	4	5
1	Continuous Tone	800Hz continuous	1	1	1	0	1
2	Continuous Tone	1000Hz continuous tone	0	1	0	1	1
3	Slow Whoop (Dutch)	500-1200Hz for 3500ms, then off for 500ms	1	0	1	0	1
4	Continuous Tone	800Hz continuous	0	0	1	1	1
5	Continuous Tone	2400Hz continuous	1	0	0	1	0
6	Continuous Tone	800Hz continuous	1	1	1	1	0
7	Continuous Tone	500Hz continuous	1	1	1	1	0
8	Continuous Tone	500Hz continuous	1	0	1	0	0
9	Continuous Tone	2400Hz continuous	1	0	0	0	1
10	Australian Evac (slow whoop)	500-1200Hz sweep for 3750ms, then OFF for 250ms	1	0	1	1	0
11	Siren 2 way ramp (short)	500-1200Hz rising for 250ms, then falling for 250ms	0	0	0	0	1
12	Continuous Tone	800Hz continuous	0	0	0	0	1
13	Continuous Tone	2800Hz continuous	1	1	0	1	1
14	Continuous Tone	800Hz continuous	1	1	0	0	1
15	Continuous Tone	2800Hz continuous	0	1	0	0	1
16	Continuous Tone	800Hz continuous	0	1	1	1	1
17	Continuous Tone	800Hz continuous	0	1	1	0	1
18	ISO 8201 LF BS5839 Pt1 1988	970Hz for 500ms, then OFF for 500ms	0	1	1	1	0
19	ISO 8201 HF	2850Hz for 500ms, then OFF for 500ms	0	1	1	0	0
20	Continuous Tone	800Hz continuous	1	1	0	1	0
21	Continuous Tone	800Hz continuous	0	1	0	1	0
22	Continuous Tone	800Hz continuous	1	1	0	0	0
23	Continuous Tone	800Hz continuous	1	1	1	1	1
24	Continuous Tone	800Hz continuous	0	0	0	0	0
25	Continuous Tone	800Hz continuous	0	0	0	1	0
26	Continuous Tone	660Hz continuous	0	0	1	0	0
27	Swedish Fire Signal	660Hz for 150ms, then OFF for 150ms	0	0	1	1	0
28	Continuous Tone	800Hz continuous	1	0	1	1	1
29	Continuous Tone	800Hz continuous	1	0	0	1	1
30	Continuous Tone	800Hz continuous	0	1	0	0	0
31	Continuous Tone	2900Hz continuous	0	0	0	1	1
32	Continuous Tone	800Hz continuous	1	0	0	0	0