

## PRODUCT DATASHEET

### HFW-DHR-01

## WIRELESS DOOR HOLDER DEVICE

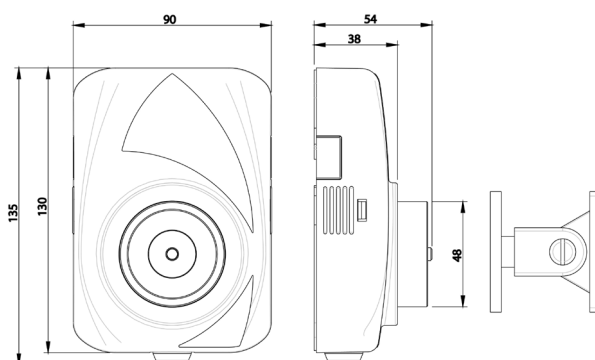
The HFW-DHR-01 wireless magnetic door holder is compatible with all of the Hyfire Wireless Translator and Expander Modules enabling it to be easily integrated into a new or existing wireless system, linked to any wired system or even used as a standalone system. Its fully wireless and battery powered capability means it requires no wiring or power supply, making installation quick, easy and cost effective. The Hyfire range of wireless devices are third party approved and utilise the latest cutting edge technologies and features. The well proven adaptive radio signal processing algorithms combined with the latest in magnet technology ensure the highest levels of life safety and system reliability



### KEY FEATURES

- Approved to BS EN 1155
- Easy and Fast installation
- Local door release button
- 5 year battery life
- Utilises standard low cost lithium battery technology
- Bi-directional wireless communications
- Fail Safe monitoring to BS 7273 - 4:2015 category A, B and C
- High holding force
- 5 year product warranty
- Door closed monitoring option

### TECHNICAL INFORMATION



### TECHNICAL SPECIFICATION

■ Operating frequency range	868 – 870 MHz
■ Max. radiated power	14dBm (25mW)
■ Operating frequency channels	7
■ Communications range	<200m (in open space)
■ Dimensions	90mm x 135mm x 54mm
■ Batteries	2 x CR123
■ Weight	740g
■ Temp Range (no icing)	-10°C to +55°C
■ Max Humidity	95%RH
■ Typical battery life	>5 years
■ IP rating	30
■ Holding Force	200N

### STANDARDS & APPROVALS

- BS EN 1155:  
Electrically Powered Hold Open Devices
- BS EN 7273-4:2015:  
Actuation of release mechanisms for doors

