

# DATASHEET

## MAINS RATED RELAY UNIT

HFI-OM-240-01

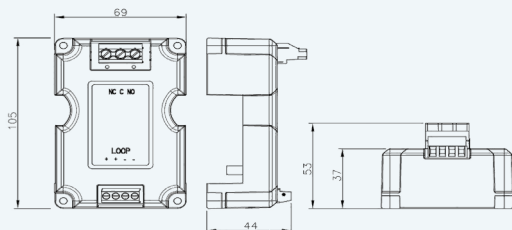
The Hyfire HFI-OM-240-01 relay unit upgrades a standard HFI-OM-RM-01 output module to a unit capable of switching mains voltages and higher currents. Utilising an existing module for communication, control and monitoring functions means the unit is fully compatible with all panels supporting the Hyfire loop protocol. The unit can easily be upgraded to a wireless variant by adding the HFI-240EOL-01 end of line module and connecting to a HFW-BOM-03 wireless output module. The units are perfect for switching mains voltage to equipment such as dampers and sound systems or where higher current switching is required at lower voltages



### KEY FEATURES

- 250V Mains voltage switching capacity
- Utilises the highly reliable Hyfire digital protocol
- Robust design
- Compatible with all Hyfire protocol systems
- Optional IP65 enclosure
- 5 year product warranty
- Single set of heavy duty change over contacts
- No PSU required
- Wired and wireless applications possible

### TECHNICAL INFORMATION



### TECHNICAL SPECIFICATION

Loop Voltage range	18-40 VDC
Max. Current	12.5mA @ 24 VDC
Wired operation requires:	HFI-OM-RM-01
Wireless operation requires:	HFW-BOM-03 & HFI-240EOL-01
Weight	100 g
Temp Range (no icing)	-10°C to +55°C
Max Humidity	95%RH
Max. Mains Relay load (resistive)	5A @240 VAC
Dimensions	105 x 69 x 53mm
IP rating	21C
Max. Mains Relay load (inductive)	5A @ 250VAC

### STANDARDS & APPROVALS

BS EN 60950-1:  
Information technology  
equipment  
BS EN 50130-4:  
Alarm systems  
electromagnetic compatibility

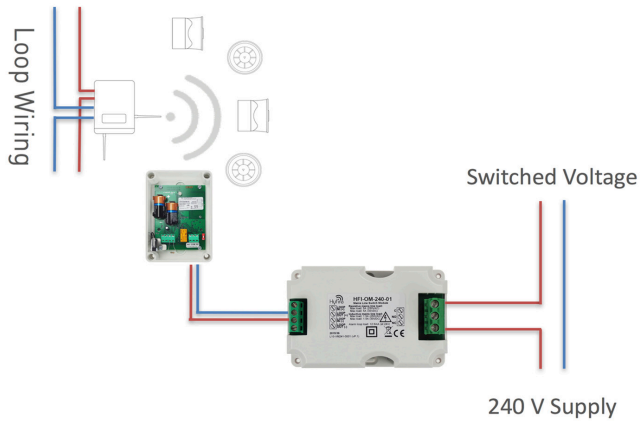


# DATASHEET

## HFI-OM-240-01



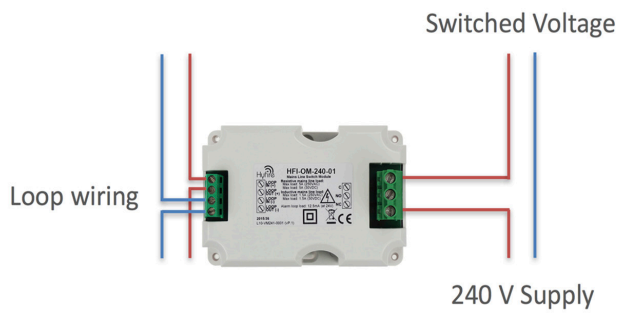
### WIRELESS APPLICATION



### RELATED PART NUMBERS

- HFI-OM-240-01
- HFI-240EOL-01
- HFW-BOM-03

### WIRED APPLICATION



### RELATED PART NUMBERS

- HFI-OM-240-01
- HFI-OM-RM-01

### MOUNTING OPTION



### RELATED PART NUMBERS

- HF-LME-01