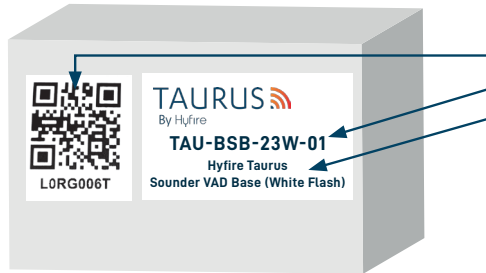


### QUICK START GUIDE



#### THE BOX

QR code  
Part number  
Product name

#### INSIDE THE BOX

- 1 x Sounder VAD Base
- 2 x CR123A batteries
- 2 x Screws
- 1 x Product manual
- 1 x Quick start guide
- 1 x QR code

#### MOUNTING STEPS

Proceed as follows to complete the device installation.

### IMPORTANT TO CONSIDER

When mounting a wireless device a comprehensive radio survey should have been carried out to establish the location that provides the best coverage and optimum reach. Taking into consideration the building structure and materials, the survey identifies the wireless infrastructure required and product locations for optimum performance, identifying any factor that could prevent radio integrity.

Avoid fixing or mounting the unit close to the following:

- Equipment that utilises large electrical currents
- Large metal objects or structures
- Fluorescent lighting fittings
- Metal ceiling structures
- IT cabling.

Keep 2 meters minimum spacing between other wireless equipment in the area to avoid signal interference.

EN54 approved environmental temperature range is -10°C to +55°C

#### UNBOXING

- When unboxing Sounder VAD Base you will find the unit and its mounting base.
- This comes with pre-formed mounting holes to mount the mounting base.
- A securing screw is fitted to ensure unwanted removal of the attached device.
- Two screws are supplied to fix the sounder to the mounting base.
- Dip switches are found inside the sounder to select your desired tone and volume.

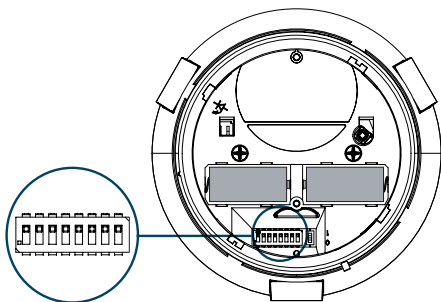
For more information, please refer to the complete product manual.

<div style="text-align: right; font-size: 24px; font-weight: bold;">1</div> <p>Remove the mounting base from the sounder.</p>	<div style="text-align: right; font-size: 24px; font-weight: bold;">2</div> <p>MOUNTING HOLES</p> <ul style="list-style-type: none"> <li>• Locate the mounting holes and mark them using a pencil on the desired surface your are drilling.</li> <li>• Using a suitable-sized drill bit (6 mm) drill the marked screw points on your chosen surface.</li> <li>• Ensure you use the correct fixings for the type of surface you are mounting to.</li> <li>• Screw the base to the ceiling using all fixing holes and appropriate-sized screws.</li> </ul>
<div style="text-align: right; font-size: 24px; font-weight: bold;">3</div> <p>BATTERY COMPARTMENT COVER</p> <p>Remove the battery compartment cover on the base.</p>	<div style="text-align: right; font-size: 24px; font-weight: bold;">4</div> <p>FIXING HOLES</p> <p>TONE AND VOLUME SELECTION</p> <p>PROGRAMMING SWITCH</p> <ul style="list-style-type: none"> <li>• Put the sounder back onto the mounting base and secure with the two screws supplied.</li> <li>• Select the tone and volume you require (see next page)</li> <li>• Ensure the programming switch in the base of the sounder is in position ON.</li> </ul>
<div style="text-align: right; font-size: 24px; font-weight: bold;">5</div> <p>BATTERY A LODGEMENT</p> <p>BATTERY B LODGEMENT</p> <p>LED INDICATOR</p> <ul style="list-style-type: none"> <li>• Ensure switch ON.</li> <li>• Fit the 2x CR123A batteries ensuring you have checked they are the correct way round observing the polarity indications on the base of the sounder base.</li> <li>• The LED will signal 4 times red.</li> <li>• Move the switch in the base of the sounder base to position 1.</li> <li>• The LED will blink few seconds green and then signal alternatively green/red 4 times.</li> <li>• Ensure you replace the battery cover as this forms part of the sounder base anti tamper protection.</li> </ul>	<div style="text-align: right; font-size: 24px; font-weight: bold;">6</div> <ul style="list-style-type: none"> <li>• Fit the detector or the blanking cap to the top of the device and secure the safety screw using a M3 allen key.</li> <li>• Put the QR code available in the box either on the system map or on the dedicated pages at the end of translator or expander manual.</li> </ul>

**QUICK START GUIDE**

**STONE AND VOLUME SELECTION**

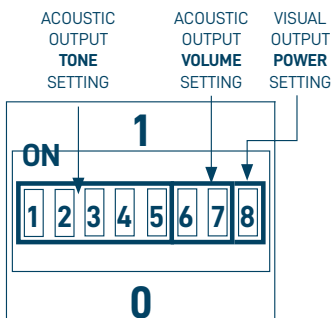
Use the DIP switch on the back of the sounder body to select tone and volume. Primary and secondary tone are selected according to panel setting.



SWITCH NUMBER	DIP SWITCH GROUP FUNCTION	NOTES
1	ACOUSTIC OUTPUT TONE SETTING	CHECK TONE SET TABLES
2		
3		
4		
5		
6	ACOUSTIC OUTPUT VOLUME SETTING	CHECK ACOUSTIC VOLUME TABLE
7		
8	VISUAL OUTPUT POWER SETTING	1 = high; C-3-15 (EN54-23) 0 = low; C-3-10 (EN54-23)

ACOUSTIC VOLUME LEVEL	DIP CONFIGURATION
HIGH*	11
MEDIUM HIGH	01
MEDIUM LOW	10
LOW	00

\* EN 54-3 approved volume



Tone number	DIP switch configuration: 1, 2, 3, 4 and 5	Primary Tone Designation	Primary Tone Description	Secondary Tone Description
0	11111	Silent	No sound	970Hz continuous
1*	11101	Warble Tone	800Hz for 500ms, then 1000Hz for 500ms	800Hz continuous
2*	01011	Continuous tone	970Hz continuous tone	1000Hz continuous tone
3*	10101	Slow Whoop (Dutch)	500-1200Hz for 3500ms, then off for 500ms	500-1200Hz for 3500ms, then off for 500ms
4*	00111	German DIN tone	1200-500Hz swept every 1000ms (1Hz)	800Hz continuous
5	10010	Alternate HF slow sweep	2350-2900Hz swept every 333ms (3Hz)	2400Hz continuous
6	11110	Alternative warble	800Hz for 250ms, then 960Hz for 250ms	800Hz continuous
7	11100	Alternative warble	500Hz for 250ms, then 600Hz for 250ms	500Hz continuous
8	10100	Analogue sweep tone	500-600Hz swept every 500ms (2Hz)	500Hz continuous
9	10001	Australian Alert (intermittent tone)	970Hz for 625ms, then OFF for 625ms	2400Hz continuous
10	10110	Australian Evac (slow whoop)	500-1200Hz sweep for 3750ms, then OFF for 250ms	500-1200Hz sweep for 3750ms, then OFF for 250ms
11	00001	FP1063.1-Telecom	800Hz for 250ms, then 970Hz for 250ms	500-1200Hz rising for 250ms, then falling for 250ms
12	00101	French tone AFNOR	554Hz for 100ms, then 440Hz for 400ms	800Hz continuous
13	11011	HF Back up interrupted tone	2800Hz for 1s, then OFF for 1s	2800Hz continuous
14	11001	HF Back up interrupted tone - fast	2800Hz for 150ms, then OFF for 150ms	800Hz continuous
15	01001	HF Continuous	2800Hz continuous	2800Hz continuous
16	01111	Interrupted tone	800Hz for 500ms, then OFF for 500ms	800Hz continuous
17	01101	Interrupted tone medium	1000Hz for 250ms, then OFF for 250ms	800Hz continuous
18	01110	ISO 8201 LF BS5839 Pt 11988	970Hz for 500ms, then OFF for 500ms	970Hz for 500ms, then OFF for 500ms
19	01100	ISO 8201 HF	2850Hz for 500ms, then OFF for 500ms	2850Hz for 500ms, then OFF for 500ms
20	11010	LF Back up Alarm	800Hz for 150ms, then OFF for 150ms	800Hz continuous
21	01010	LF Buzz	800-950Hz swept every 9ms	800Hz continuous
22	11000	LF Continuous tone BS5839	800Hz continuous	800Hz continuous
23	00000	Siren 2 way ramp (long)	500-1200Hz rising for 3000ms, then falling for 3000ms	800Hz continuous
24	00010	Siren 2 way ramp (short)	500-1200Hz rising for 250ms, then falling for 250ms	800Hz continuous
25	00100	Swedish all clear signal	660Hz continuous	660Hz continuous
26	00110	Swedish Fire signal	660Hz for 150ms, then OFF for 150ms	660Hz for 150ms, then OFF for 150ms
27	10111	Sweep tone (1 Hz)	800-900Hz swept every 1000ms	800Hz continuous
28	10011	Sweep tone (3 Hz)	800-970Hz swept every 333ms (3Hz)	800Hz continuous
29	01000	Sweep tone (9 Hz)	800-970Hz swept every 111ms (9Hz)	800Hz continuous
30	00011	US Temporal Pattern HF	(2900Hz for 500ms ON, 500ms OFF) x3, then 1500ms OFF	2900Hz continuous
31	10000	LF Sweep (Cranford tone)	800-1000Hz swept every 500ms (2Hz)	800Hz continuous

\* EN 54-3 approved volume