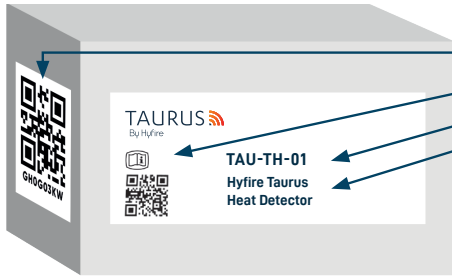


QUICK START GUIDE



THE BOX

- Taurus QR code
- Manual QR code
- Product code
- Product name

INSIDE THE BOX

- 1 x Heat Detector with mounting base
- Base not included for item code TAU-TH-01/DWB
- 2 x CR123A batteries
- Batteries not included for item code TAU-TH-01/NB e TAU-TH-01-BL/NB
- 1 x Quick start guide
- 1 x QR code

MOUNTING STEPS

Proceed as follows to complete the device installation.

Available also without batteries: TAU-TH-01/NB
 Available also in black plastic: TAU-TH-01-BL
 Available also in black plastic without batteries: TAU-TH-01-BL/NB
 Available also without mounting base: TAU-TH-01/DWB

IMPORTANT TO CONSIDER



When mounting a wireless device a comprehensive radio survey should have been carried out to establish the location that provides the best coverage and optimum reach. Taking into consideration the building structure and materials, the survey identifies the wireless infrastructure required and product locations for optimum performance, identifying any factor that could prevent radio integrity.

Avoid fixing or mounting the unit close to the following:

- Equipment that utilises large electrical currents
- Large metal objects or structures
- Fluorescent lighting fittings
- Metal ceiling structures
- IT cabling.

Keep 2 meters minimum spacing between other wireless equipment in the area to avoid signal interference.



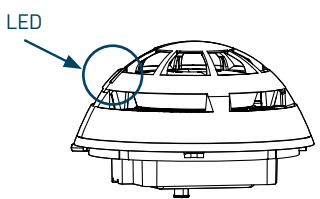
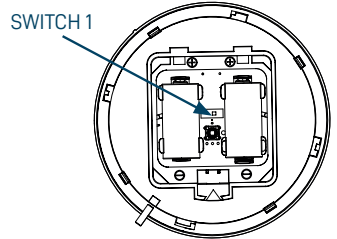
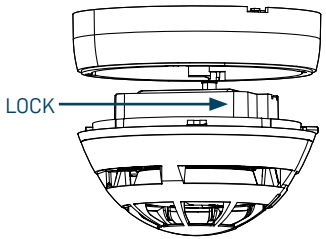
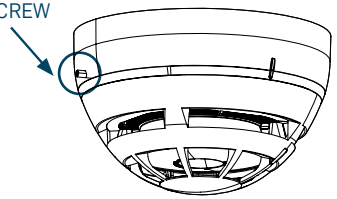
EN54 approved environmental temperature range is -10°C to +55°C

UNBOXING

- When unboxing the detector you will find the unit and its mounting base.
- This comes with mounting holes to mount the detector base.
A securing screw is provided on the base to ensure there is no unwanted removal

For more information, please refer to the complete product manual.

<p>1</p> <p>UNLOCK</p> <ul style="list-style-type: none"> • Remove the detector's dust cover, intended to protect the unit during shipping. • Remove the detector from the base twisting anticlockwise. 	<p>2</p> <p>MOUNTING HOLES</p> <ul style="list-style-type: none"> • Locate the mounting holes and mark them using a pencil on the desired surface you are drilling. • Using a suitable-sized drill bit (6 mm) drill the marked screw points on your chosen surface. • Ensure you use the correct fixings for the type of surface you are mounting to.
<p>3</p> <p>REMOVABLE TAG</p> <ul style="list-style-type: none"> • A plastic pop out tag is removable from the base to enable you to label the address of the detector, prior to fixing to the ceiling; pop out the device label tag from the base and insert it into the side. • Screw the base to the ceiling using all fixing holes and appropriate-sized screws. 	<p>4</p> <p>Remove the battery compartment cover on the base on the detector.</p>
<p>5</p> <p>SWITCH ON</p> <p>Ensure the programming switch in the base of the detector is in position ON.</p>	<p>6</p> <p>REMOVE INSULATING TAG</p> <p>Remove the batteries' insulating tab ensuring the batteries are kept in their lodgement.</p>

<p>7</p>  <p>LED</p> <p>The detector's LED will signal 4 times red.</p>	<p>8</p>  <p>SWITCH 1</p> <ul style="list-style-type: none"> • Move the switch in the base of the detector to position 1. • The detector's LED will blink few seconds green and then signal alternatively green / red 4 times.
<p>9</p>  <p>LOCK</p> <ul style="list-style-type: none"> • Ensure you replace the battery cover as this forms part of the detectors anti tamper protection and refit the detector locating it into the base twisting clockwise. 	<p>10</p>  <p>SCREW</p> <ul style="list-style-type: none"> • Secure the screw on the base to ensure there is no unwanted removal using a M3 allen key. • Put the QR code available in the box either on the system map or on the dedicated pages at the end of translator or expander manual.